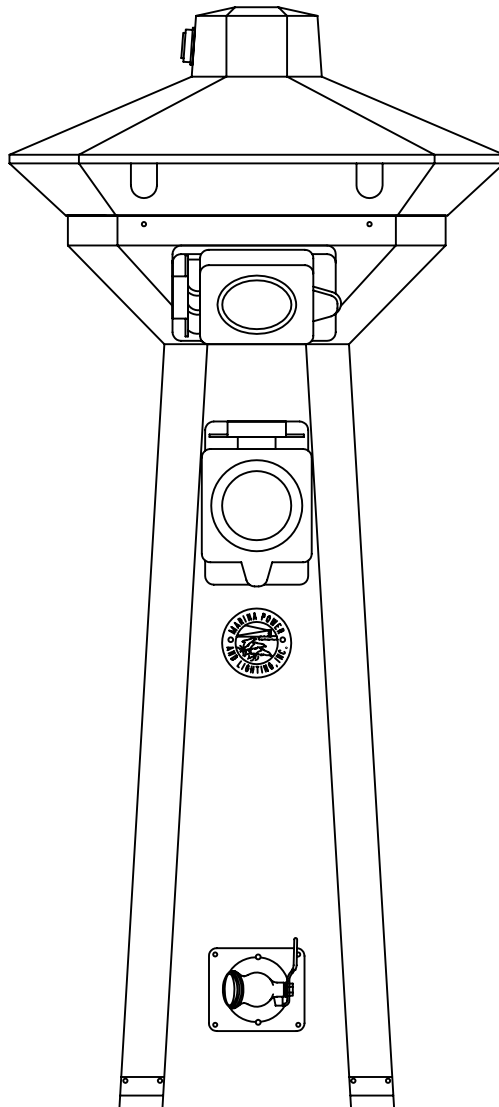


# GENERAL SPECIFICATION HATTERAS LIGHT



**Marina Power and Lighting, Inc.**  
**General Specifications for the Hatteras Light**

**All Power Pedestals Must Meet the Following:**

**Part I. General:**

**1.1 General Requirements-**

- A.) Shall be tested and certified to be in compliance with ANSI/UL 231 entitled "power outlets".
- B.) If a laboratory other than U.L. is used that laboratory must certify, in writing, that the power outlet has been tested and meets all of the requirements of ANSI/UL 231, including 746C polymeric materials, and that the unit will pass the 94VO-5V flame test.
- C.) Shall be certified to meet all sections of NFPA 303 DTD "2000 Marinas and Boatyards."
- D.) Shall meet 406.8 (B)(2)(a) of the national electric code NFPA 70, i.e. "A receptacle installed in a wet location shall be installed in a weatherproof enclosure, the integrity of which is not affected when the attachment plug cap is inserted."
- E.) The receptacles shall be mounted at a down angle of 35 degrees or greater from vertical to relieve the strain of the cable weight on the receptacle locking mechanism.

**Part II. Products:**

**2.1 Acceptable Manufacturers - Power Pedestals/Hatteras Light Enclosures-**

- A.) Marina Power and Lighting, Inc.  
149 Warwick Court, Williamsburg, VA 23185.  
Toll Free: 1-800-723-8009

**2.2 Power Pedestals/Hatteras Light Enclosures – General-**

- A.) Housing:
  - 1. The housing shall be constructed of 1/4" thick injection molded Lexan' polycarbonate material and shall be coated with a UV-resistant polyurethane. It shall be UL listed as a type 3R weatherproof enclosure.
- B.) Wiring:
  - 1. The power pedestal shall be completely pre-wired at the factory to the load side of the compression lug assembly.
  - 2. All load copper wiring shall be of high stranding and tin plated to resist corrosion.
  - 3. The maximum size of the line wiring shall be 2/0 AWG.
- C.) Loop Feed Buss Bar System:
  - 1. The buss system shall be of stud compression terminal type using a 1/4" – 20 silicon-bronze stud with a silicon-bronze Belleville type washer. The 1/4" – 20 silicon-bronze hex-nut shall be torqued to 100 inch-pounds with a maximum wire size of 2/0 AWG.
- D.) Grounding:
  - 1. All exposed metallic parts must have an integral ground that is a part of the equipment grounding system.

E.) Receptacles:

1. All receptacles shall be of the corrosion resistant type conforming to NEMA L - 5 and/or NEMA L - 6 requirements and are rated for marine use. 100A receptacles should conform to IEC and CEE standards.
2. All receptacles shall be mounted at an angle that is a minimum 35 degrees from vertical and located behind a lockable weatherproof hinged door that is under tension to ensure proper closing pressure when the receptacle is or is not in use.
3. All receptacles shall be mounted at least 24" above the dock.

F.) Circuit Breakers:

1. All breakers for receptacles shall be of the thermal magnetic type, 10,000 A.I.C., and shall be UL listed.

**2.3 Power Pedestals-**

A.) Receptacles:

1. Receptacles for boat users shall be a locking and grounding type, either single phase, 125 volt 30 Amp and/or 50 Amps, and 125/250 volt 50 and/or 100 Amps. Three phase 120/208V 100 Amp, or three phase 480 delta or wye 100 Amps, as outlined in the Pedestal Schedule, which is a part of this specification.

B.) Lighting:

1. Each pedestal shall be equipped with a non-metered light. The light shall be a 13 watt fluorescent biaxial light that is controlled by an electromechanical photocell.
2. The light shall provide 360 degree dock illumination such that indirect lighting extends from station to station with a minimum dock lighting of one foot candle at 15'. The lighting shall not interfere with boaters' navigation.

C.) Circuit Breakers:

1. Circuit breakers for 30 amp receptacles shall be a single pole, 125 volt, 30 amp thermo magnetic type.
2. Circuit breakers for 50 amp receptacles shall be a single pole 125V 50 Amp, or a two pole 125/250 volt 50 amp thermo magnetic type.

D.) Metering (Optional):

1. The pedestal can be equipped with one fully electronic meter that displays the kilowatts used by the pedestal on a non-resettable digital counter that is protected from the weather. The accuracy of the meter must be certified by the manufacturer to have a 100 ampere rating and no more than a 2% error when tested in accordance with a A.N.S.I.-C12.1. (California requires 1%).

E.) Telephone and Cable TV (Optional):

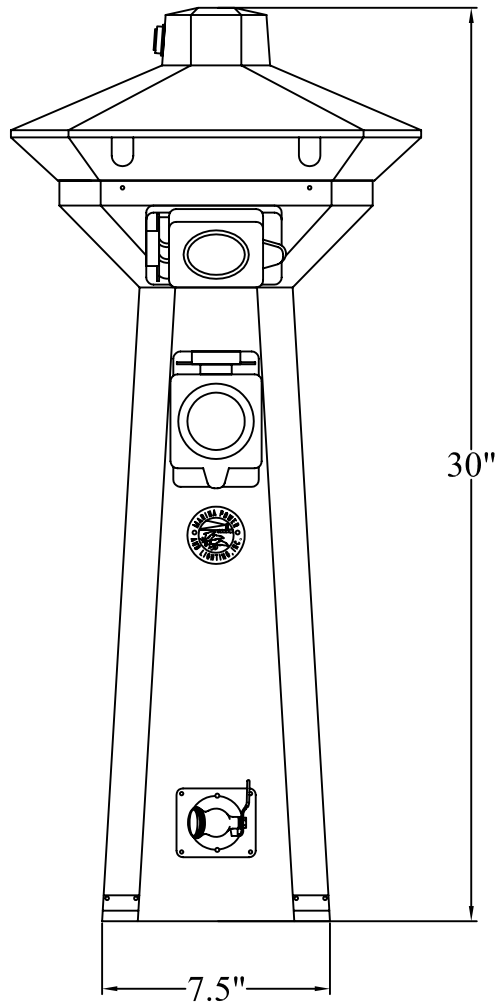
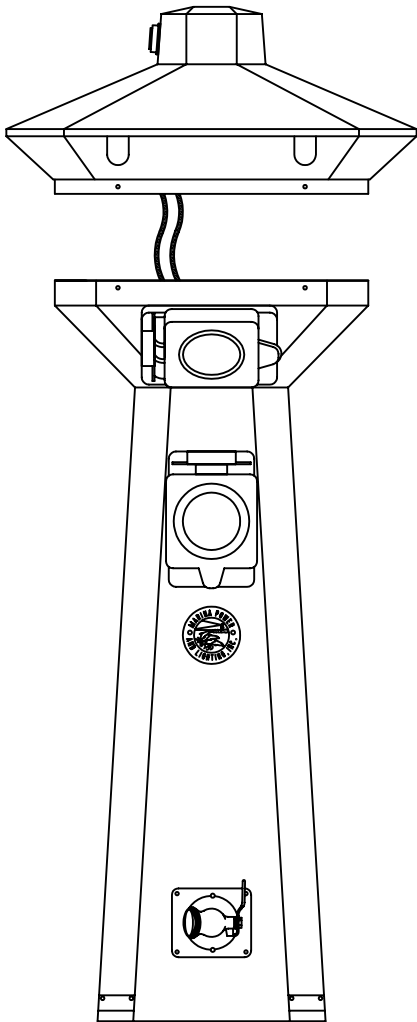
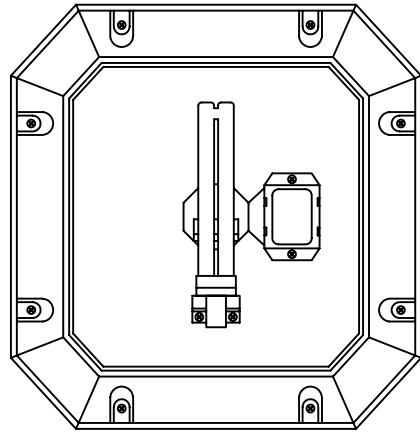
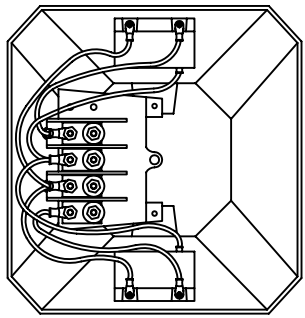
1. Each pedestal can be equipped with one outlet. Each outlet shall contain a marine telephone locking receptacle and a male cable TV connector under a weatherproof cover.

F.) Water (Optional):

1. Each pedestal shall be equipped with one or two 1/2" ball valves with each having a single 1/2" female NPT fitting.

H.) Power Pedestals for A.D.A. Slips (Designated as Handicap Accessible):

1. Power pedestals installed on designated handicap accessible slips shall comply with the guidelines of the Americans With Disabilities Act of 1990.

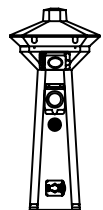


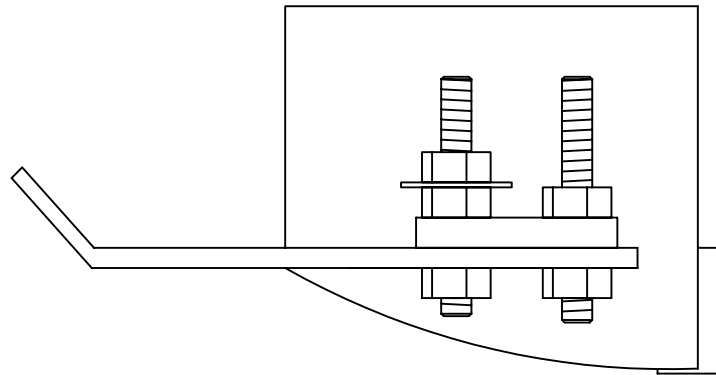
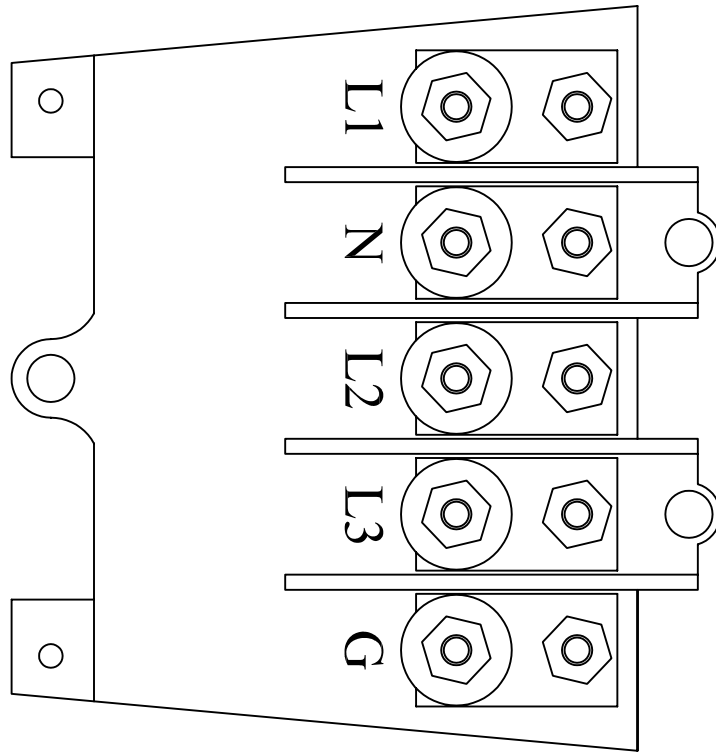
MARINA POWER  
& LIGHTING, INC.

GENERAL  
SPECIFICATION

PRODUCT:  
HATTERAS LIGHT

DIMENSIONS



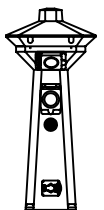


MARINA POWER  
& LIGHTING, INC.

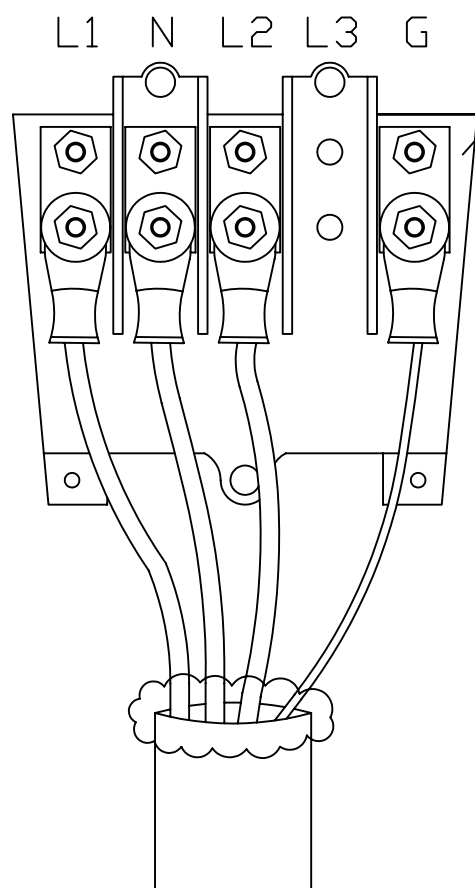
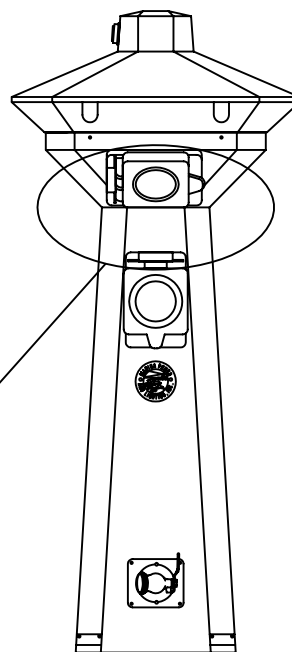
GENERAL  
SPECIFICATION

PRODUCT:  
HATTERAS LIGHT

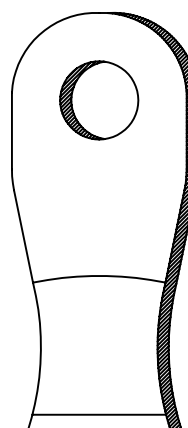
BUSS BAR  
ASSEMBLY



WIRE COLORS  
 (LINE 1) L1 - BLACK  
 (NEUTRAL) N - WHITE  
 (LINE 2) L2 - RED  
 (LINE 3) L3 - BLUE  
 (GROUND) G - GREEN



COMPRESSION TERMINALS:  
 CONTRACTOR NEEDS TO CRIMP  
 TERMINALS TO LINE WIRES  
 AND PLACE ON PROVIDED  
 STUD LUG CONNECTOR.

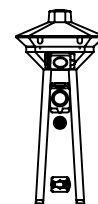


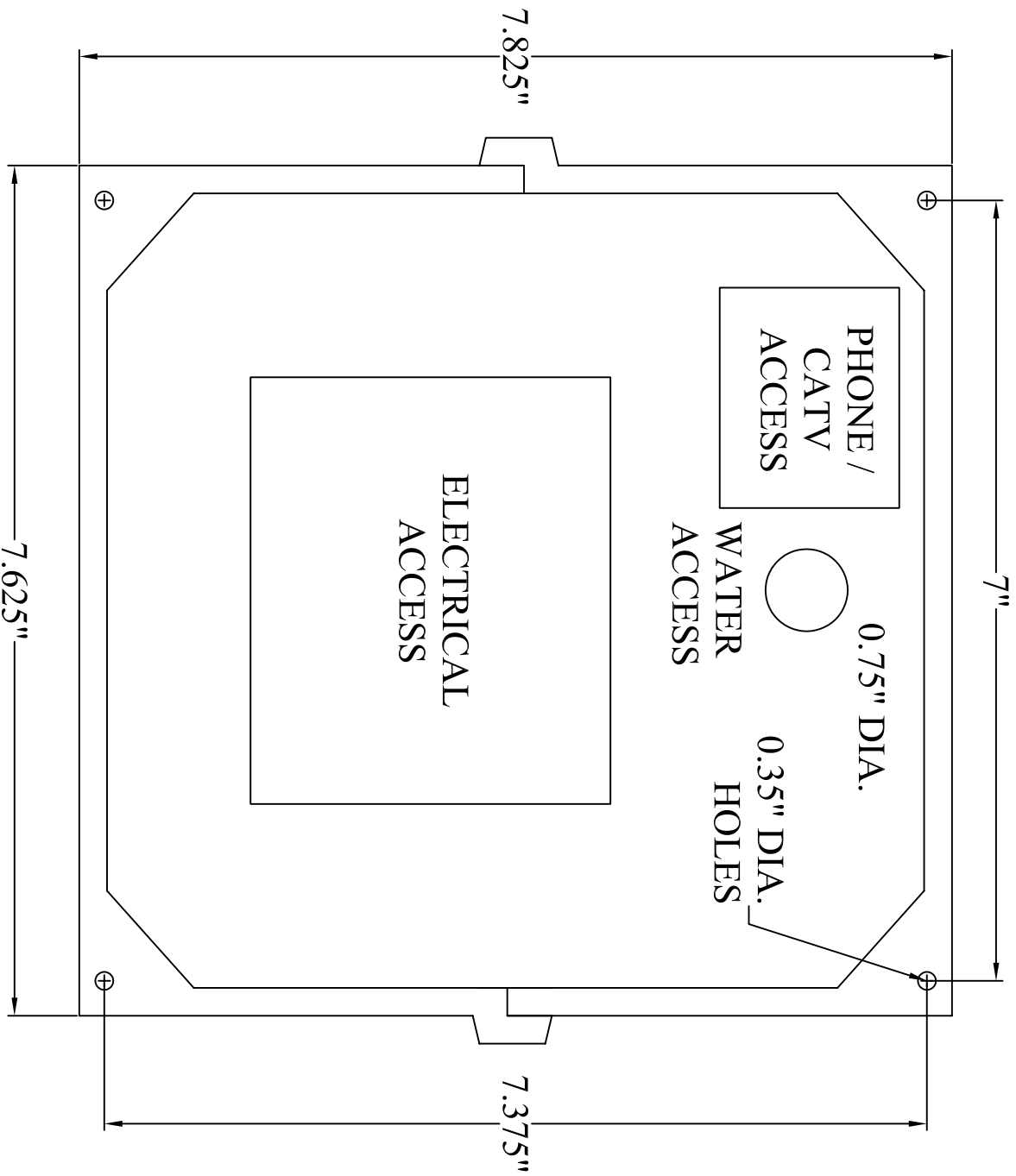
**MARINA POWER &  
 LIGHTING, INC.**

**GENERAL  
 SPECIFICATION**

**PRODUCT:  
 HATTERAS**

**WIRING  
 DIAGRAM**



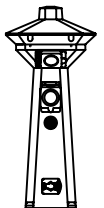


MARINA POWER  
& LIGHTING, INC.

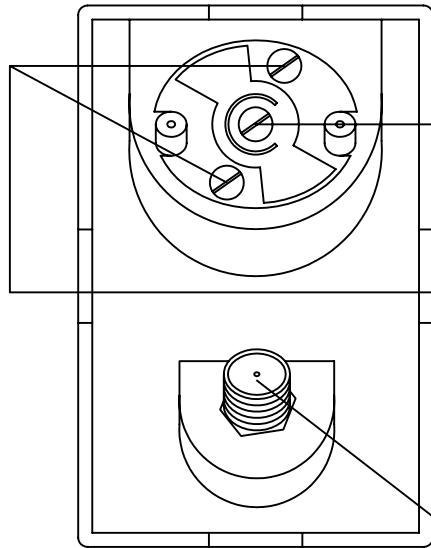
GENERAL  
SPECIFICATION

PRODUCT:  
HATTERAS LIGHT

BASE LAYOUT



INTERNAL

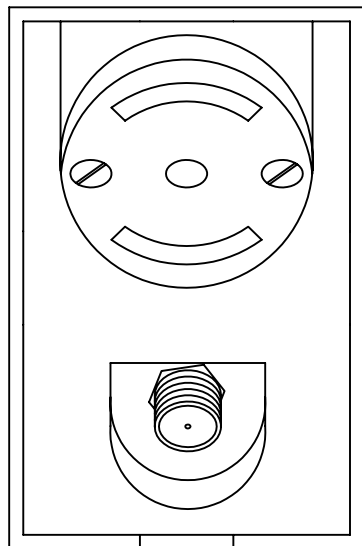


CONNECT TO HL BUS  
BAR GROUND USING  
#14 WIRE.

CONNECT USING  
REGULAR PHONE  
WIRE.

CONNECT USING  
REGULAR COAX  
CABLE.

EXTERNAL



PHONE

CABLE TV

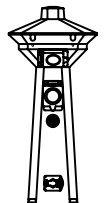


MARINA POWER &  
LIGHTING, INC.

GENERAL  
SPECIFICATION

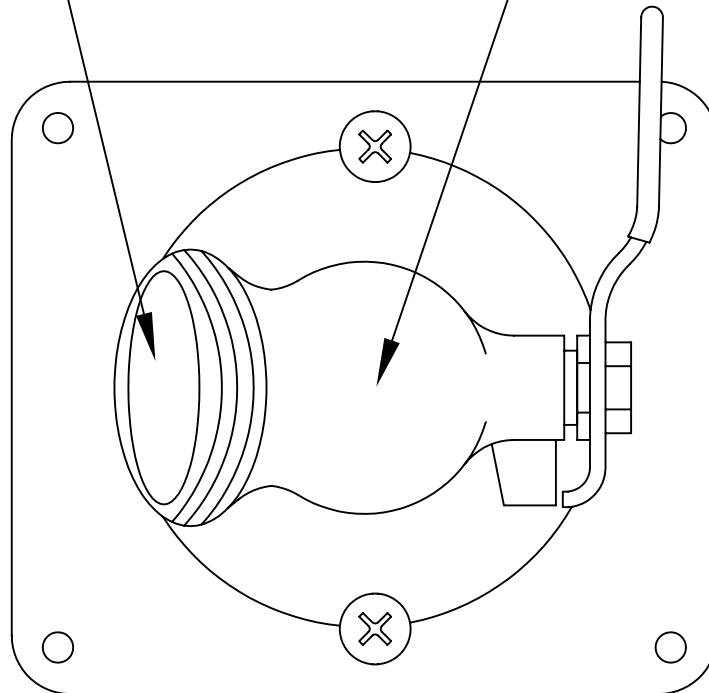
PRODUCT:  
HATTERAS LIGHT

TELEPHONE AND  
CABLE TV ASSEMBLY



1/2" BALL  
VALVE

1/2" FEMALE  
CONNECTION



## REMOVABLE MOUNTING PLATE



MARINA POWER &  
LIGHTING, INC.

GENERAL  
SPECIFICATION

PRODUCT:  
HATTERAS LIGHT

WATER  
ASSEMBLY

